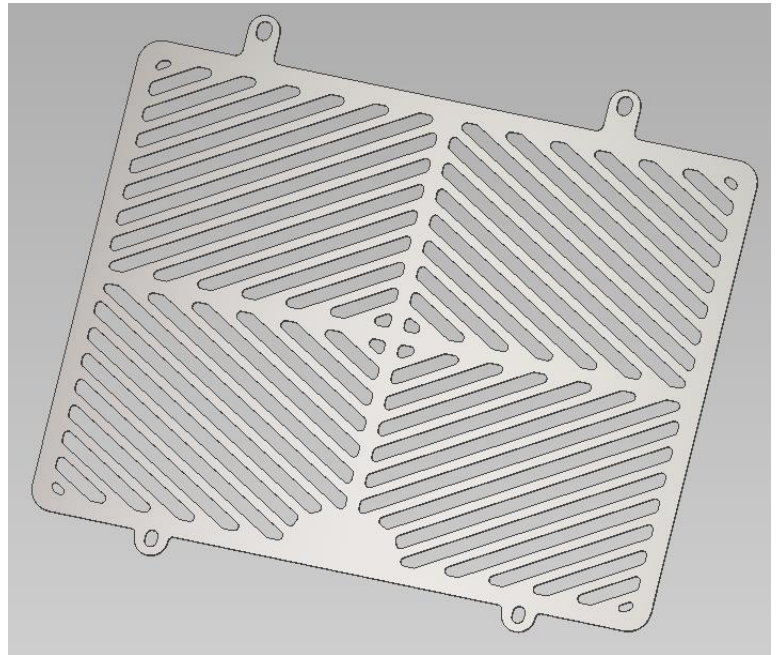


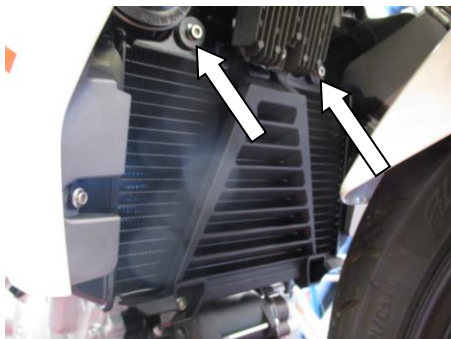


SRG0054

FITTING INSTRUCTIONS FOR SRG0054SS
RADIATOR GUARD FOR BMW G310 R & G310 GS '17-



- In This Kit There Should Be**
- 1x Stainless Radiator Guard (SRG0054SS)**
 - 2 x Spacers (S0275)**
 - 3x 100mm Lengths of self-adhesive Foam**
 - 2 x M6 Button Head Bolts**
 - 2x M5 Button Head Bolts**
 - 2 x M6 washers**
 - 2 x M5 washers**
 - 2 x M5 J-Clips**



Picture 1



Picture 2



GENERAL TORQUE SETTINGS

M4 BOLT = 8Nm

M5 BOLT = 12Nm

M6 BOLT = 15Nm

M8 BOLT = 20Nm

M10 BOLT = 40Nm

M12 NYLOC NUT = 40Nm

FITTING INSTRUCTIONS

If fitting to the G310 R '17-

- To fit the stainless radiator guard to the bike, cut the foam strip provided into 10mm wide pieces and stick them to the back of the radiator guard frame, so that they sit between the radiator guard and the radiator.
- Remove the two top mount bolts arrowed in Picture 1 using a 5mm Allen key.
- In order to use R&G Radiator guard, the OEM plastic radiator guard needs to be removed completely. Remove the two lower mount bolts arrowed in Picture 2 using an 8mm socket and a wrench. Gently unclip the top of the OEM radiator guard and pull away from the radiator.
- Offer R&G Stainless Radiator Guard to the radiator, loosely fit each M6 bolt and M6 washer provided in the kit to the two top radiator mounts.
- From the kit take the two spacers provided and locate them behind each radiator guard's lower mounts so that the spacer is sandwiched between the radiator guard and the radiator. Secure the radiator guard and the spacers using the two M5 bolts and M5 washers provided.
- Tighten all bolts evenly.
- Ensure everything is correctly re-fitted and the radiator guard is securely mounted before riding.

If fitting to the G310 GS '17-

- To fit the stainless radiator guard to the bike, cut the foam strip provided into 10mm wide pieces and stick them to the back of the radiator guard frame, so that they sit between the radiator guard and the radiator.
- Remove the two top mount bolts arrowed in Picture 1 using a 5mm Allen key.
- Fit one M5 J-Clip to either one of the lower mounts on the radiator guard.
- Offer R&G radiator guard to the radiator, loosely fit each M6 bolt and M6 washer provided in the kit to the two top radiator mounts.
- From the kit take the two spacers provided and locate them behind each radiator guard's lower mounts so that the spacer is sandwiched between the radiator guard and the radiator. Secure the radiator guard and the spacers using the two M5 bolts and M5 washers provided and tighten into the previously fitted M5 J-Clips.
- Tighten all bolts evenly.

ISSUE 1 17/07/2017 (AR)

ISSUE 2 24/10/2017 (AR)

Digital copies of these instructions are available to download from www.rg-racing.com

CONSUMER NOTICE

The catalogue description and any exhibition of samples are only broad indications of the Products and R&G may make design changes which do not diminish their performance or visual appeal and supplying them in such state shall conform to the order. The Buyer acknowledges no representation or warranty (other than as to title) has been given or will apply to the Products other than those in R&G's order or confirmation and the Buyer confirms it has chosen the Products as being of merchantable quality and suitable for its particular purposes. Where R&G fits the Products or undertakes other services it shall exercise reasonable skill and care and rectify any fault free of charge unless the workmanship has been disturbed. The Buyer is responsible for ensuring that the warranty on the motorcycle is not affected by the fitting of the Products. On return of any defective Products R&G shall at its option either supply a replacement or refund the purchase money but shall not be liable if the Products have been modified or used or maintained otherwise than in accordance with R&G's or manufacturer's instructions and good engineering practice or if the defect arises from accident or neglect.

R&G

Unit 1, Shelley's Lane, East Worldham, Alton, Hampshire, GU34 3AQ

Tel: +44 (0)1420 89007 Fax: +44 (0)1420 87301 www.rg-racing.com Email: info@rg-racing.com



Other than identified above and subject to R&G not limiting its liability for causing death and personal injury, it shall not be liable for indirect or consequential loss and otherwise its liability shall be limited to the amounts paid by the Buyer for the Products or the fitting or service concerned. These terms do not affect the Buyer's statutory rights.

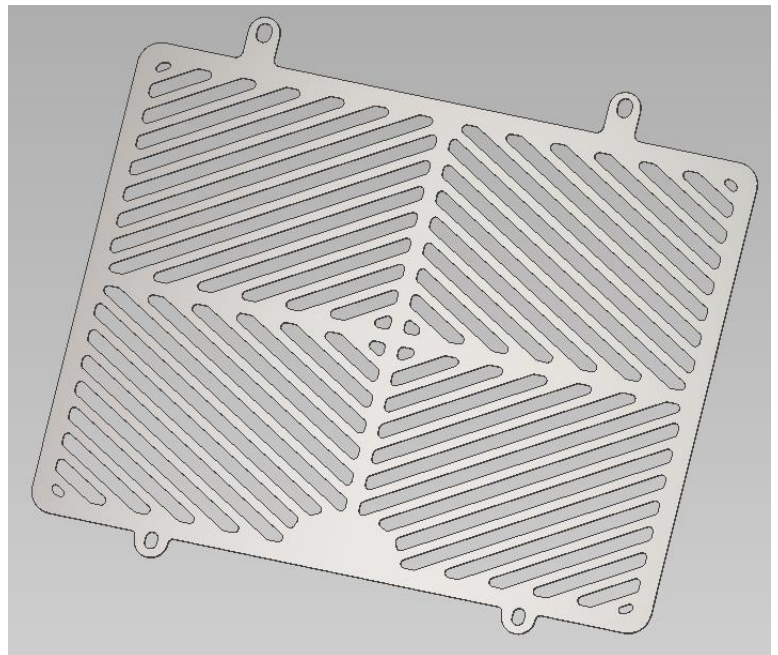
R&G RETURNS POLICY (NON-FAULTY GOODS)

Returns must be pre-authorized (if not pre-authorized the return will be rejected). Goods may only be returned direct to us if they were purchased direct from us (customer must prove if necessary). Otherwise to be returned to original vendor. Goods must be in re-sellable condition, in the opinion of R&G All returns are subject to a 25% restocking and handling fee (25% of the gross value exc. P&P – at the prevailing price at time of purchase). The customer must pay any and all carriage charges. No returns of discontinued products, unless within 14 days of purchase. This policy does not affect your statutory rights and does not refer to faulty goods.



SRG0054

NOTICE DE MONTAGE SRG0054SS
GRILLE DE PROTECTION RADIATEUR POUR BMW G310 R & G310 GS '17-



Le kit doit contenir

- 1x Grille de protection radiateur (SRG0054SS)**
- 2 x Entretoises (S0275)**
- 3x 100mm Mousse autocollante**
- 2 x M6 Boulons**
- 2x M5 Boulons**
- 2 x M6 Rondelles**
- 2 x M5 Rondelles**
- 2 x M5 J-Clips**

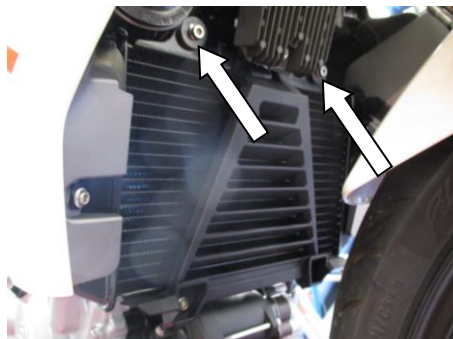


Photo 1



Photo 2

**VALEURS DE SERRAGE:**

M4 BOULON = 8Nm
M5 BOULON = 12Nm
M6 BOULON = 15Nm
M8 BOULON = 20Nm
M10 BOULON = 40Nm
M12 ÉCROU = 40Nm

NOTICE DE MONTAGE :**Installation sur G310 R '17-**

- Couper le bandeau de mousse fourni en pièces de 10mm puis collez-les au bas du cadre de protection radiateur, de façon à ce qu'elles se placent entre la protection radiateur et le radiateur.
- Enlever les 2 boulons de fixation supérieurs, voir Photo 1 en utilisant une clé Allen 5mm.
- Pour utiliser la grille de radiateur R&G, la protection radiateur d'origine en plastique doit être enlevée complètement. Enlever les 2 boulons de fixation inférieurs visibles sur la Photo 2 en utilisant une clé à cliquet + douille de 8mm. Déclipser le haut de la grille de protection d'origine puis retirez-la du radiateur.
- Monter la grille de protection R&G sur le radiateur, insérer chaque boulon M6 boulon et rondelle M6 fourni dans le kit sur les 2 supports supérieurs de radiateur.
- Prendre les 2 entretoises fournies dans le kit puis placez-les derrière chaque support inférieur de grille de radiateur de façon à ce que l'entretoise soit prise en sandwich entre la grille de radiateur et le radiateur. Fixer la grille de radiateur et les entretoises en utilisant les 2 boulons M5 boulons et rondelles M5 fournis.
- Serrer tous les boulons de façon égale.
- Veiller à ce que tout soit correctement remonté et que la grille de radiateur soit correctement montée avant de prendre la route.

Installation sur G310 GS '17-

- Couper le bandeau de mousse fourni en pièces de 10mm puis collez-les au bas du cadre de protection radiateur, de façon à ce qu'elles se placent entre la protection radiateur et le radiateur.
- Enlever les 2 boulons de fixation supérieurs, voir Photo 1 en utilisant une clé Allen 5mm.
- Insérer un M5 J-Clip à chacun des supports inférieurs de la grille de protection radiateur.
- Monter la grille de protection R&G sur le radiateur, insérer chaque boulon M6 boulon et rondelle M6 fournis dans le kit sur les 2 supports supérieurs de radiateur.
- Prendre les 2 entretoises fournies dans le kit puis placez-les derrière chaque support inférieur de grille de radiateur de façon à ce que l'entretoise soit prise en sandwich entre la grille de radiateur et le radiateur. Fixer la grille de radiateur et les entretoises en utilisant les 2 boulons M5 boulons et rondelles M5 fournis puis serrer dans les M5 J-Clips montés précédemment.
- Serrer tous les boulons de façon égale.

ISSUE 1 17/07/2017 (AR)

ISSUE 2 24/10/2017 (AR)

Notice disponible au téléchargement sur www.rg-racing.com

CONSUMER NOTICE

The catalogue description and any exhibition of samples are only broad indications of the Products and R&G may make design changes which do not diminish their performance or visual appeal and supplying them in such state shall conform to the order. The Buyer acknowledges no representation or warranty (other than as to title) has been given or will apply to the Products other than those in R&G's order or confirmation and the Buyer confirms it has chosen the Products as being of merchantable quality and suitable for its particular purposes. Where R&G fits the Products or undertakes other services it shall exercise reasonable skill and care and rectify any fault free of charge unless the workmanship has been disturbed. The Buyer is responsible for ensuring that the warranty on the motorcycle is not affected by the fitting of the Products. On return of any defective Products R&G shall at its option either supply a replacement or refund the purchase money but shall not be

R&G

Unit 1, Shelley's Lane, East Worldham, Alton, Hampshire, GU34 3AQ

Tel: +44 (0)1420 89007 Fax: +44 (0)1420 87301 www.rg-racing.com Email: info@rg-racing.com



liable if the Products have been modified or used or maintained otherwise than in accordance with R&G's or manufacturer's instructions and good engineering practice or if the defect arises from accident or neglect. Other than identified above and subject to R&G not limiting its liability for causing death and personal injury, it shall not be liable for indirect or consequential loss and otherwise its liability shall be limited to the amounts paid by the Buyer for the Products or the fitting or service concerned. These terms do not affect the Buyer's statutory rights.

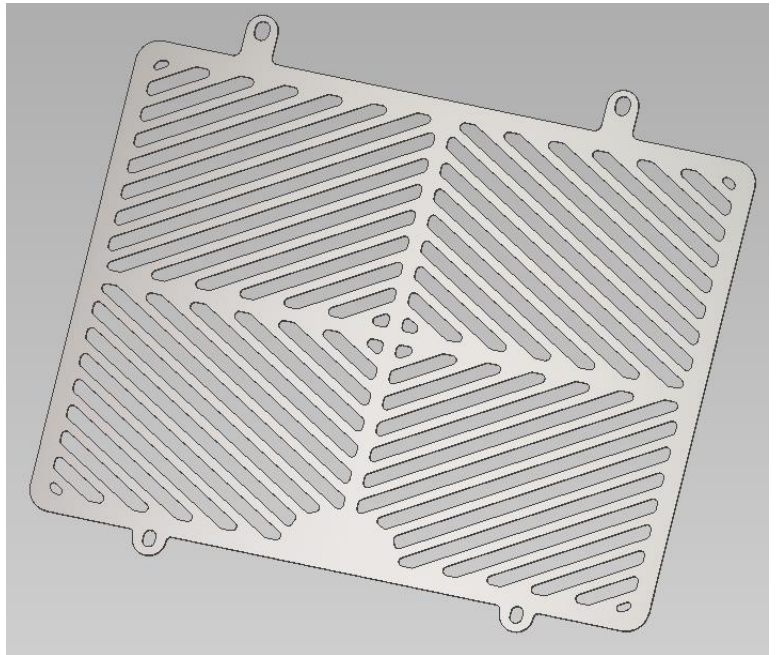
R&G RACING RETURNS POLICY (NON-FAULTY GOODS)

Returns must be pre-authorised (if not pre-authorised the return will be rejected). Goods may only be returned direct to us if they were purchased direct from us (customer must prove if necessary). Otherwise to be returned to original vendor. Goods must be in re-sellable condition, in the opinion of R&G Racing. All returns are subject to a 25% restocking and handling fee (25% of the gross value exc. P&P – at the prevailing price at time of purchase). The customer must pay any and all carriage charges. No returns of discontinued products, unless within 14 days of purchase. This policy does not affect your statutory rights and does not refer to faulty goods.



SRG0054

MONTAGEANLEITUNG FÜR SRG0054SS
KÜHLERSCHUTZ FÜR BMW G310 R & G310 GS '17-



Dieser Kit beinhaltet:

- 1x Kühlerschutz (SRG0054SS)**
- 2x Distanzhalter (S0275)**
- 3x 100mm selbstklebende Schaumstoffstreifen**
- 2x M6 Linsenkopfschrauben**
- 2x M5 Linsenkopfschrauben**
- 2x M6 Unterlegscheiben**
- 2x M5 Unterlegscheiben**
- 2x M5 J-Clips**

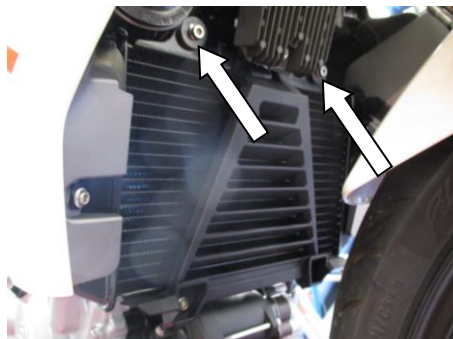


Abbildung 1



Abbildung 2

**ANZUGSDREHMOMENTE:**

M4 SCHRAUBE = 8 Nm
M5 SCHRAUBE = 12 Nm
M6 SCHRAUBE = 15 Nm
M8 SCHRAUBE = 20 Nm
M10 SCHRAUBE = 40 Nm
M12 SELBSTSICHERNDE MUTTER = 40Nm

MONTAGEANLEITUNG**Montageanleitung Modell G310 R '17-**

- Um den rostfreien Kühlerschutz am Motorrad zu montieren, schneiden Sie zuerst die mitgelieferten Schaumstoffstreifen in 10 mm breite Streifen und kleben Sie diese auf der Rückseite des Kühlerschutzrahmens, so dass sie zwischen dem Kühlerschutz und dem Kühler angebracht sind.
- Entfernen Sie die zwei oberen Montageschrauben, die in Abbildung 1 gekennzeichnet sind, mit einem 5mm Inbusschlüssel.
- Um den R&G Kühlerschutz montieren zu können, muss der original Kühlerschutz aus Kunststoff komplett entfernt werden. Entfernen Sie die zwei unteren Montageschrauben, die in Abbildung 2 mit Pfeilen gekennzeichnet sind, mit einem 8mm Steckschlüssel. Den original Kühlerschutz vorsichtig oben lösen und vom Kühler entfernen.
- Den R&G rostfreien Kühlerschutz in Position bringen und je eine M6 Schraube und M6 Unterlegscheibe vom Kit an den zwei oberen Halterungen für den Kühler lose fixieren.
- Die zwei Distanzhalter vom Kit nehmen und diese hinter den beiden unteren Halterungen des Kühlerschutzes positionieren, so dass der Distanzhalter zwischen dem Kühlerschutz und dem Kühler montiert ist. Den Kühlerschutz und die zwei Distanzhalter mit den zwei M5 Schrauben und M5 Unterlegscheiben vom Kit befestigen.
- Ziehen Sie alle Schrauben gleichmäßig fest.
- Überprüfen Sie, dass alles wieder ordnungsgemäß montiert und sicher befestigt ist, bevor Sie mit dem Motorrad fahren.

Montageanleitung Modell G310 GS '17-

- Um den rostfreien Kühlerschutz am Motorrad zu montieren, schneiden Sie zuerst die mitgelieferten Schaumstoffstreifen in 10 mm breite Streifen und kleben Sie diese auf der Rückseite des Kühlerschutzrahmens, so dass sie zwischen dem Kühlerschutz und dem Kühler angebracht sind.
- Entfernen Sie die zwei oberen Montageschrauben, die in Abbildung 1 gekennzeichnet sind, mit einem 5mm Inbusschlüssel.
- Montieren Sie je einen M5 J-Clip an den unteren Halterungen am Kühlerschutz.
- Den R&G Kühlerschutz in Position bringen und je eine M6 Schraube und M6 Unterlegscheibe vom Kit an den zwei oberen Halterungen für den Kühler lose fixieren.
- Die zwei Distanzhalter vom Kit hinter den beiden unteren Halterungen des Kühlerschutzes positionieren, so dass der Distanzhalter zwischen dem Kühlerschutz und dem Kühler montiert ist. Den Kühlerschutz und die zwei Distanzhalter mit den zwei M5 Schrauben und M5 Unterlegscheiben vom Kit fixieren und diese in den zuvor montierten M5 J-Clips befestigen.
- Ziehen Sie alle Schrauben gleichmäßig fest.

AUSGABE 1 17/07/2017 (AR)
AUSGABE 2 24/10/2017 (AR)



Eine digitale Version dieser Montageanleitung kann auf folgender Seite heruntergeladen werden: www.rg-racing.com

CONSUMER NOTICE

The catalogue description and any exhibition of samples are only broad indications of the Products and R&G may make design changes which do not diminish their performance or visual appeal and supplying them in such state shall conform to the order. The Buyer acknowledges no representation or warranty (other than as to title) has been given or will apply to the Products other than those in R&G's order or confirmation and the Buyer confirms it has chosen the Products as being of merchantable quality and suitable for its particular purposes. Where R&G fits the Products or undertakes other services it shall exercise reasonable skill and care and rectify any fault free of charge unless the workmanship has been disturbed. The Buyer is responsible for ensuring that the warranty on the motorcycle is not affected by the fitting of the Products. On return of any defective Products R&G shall at its option either supply a replacement or refund the purchase money but shall not be liable if the Products have been modified or used or maintained otherwise than in accordance with R&G's or manufacturer's instructions and good engineering practice or if the defect arises from accident or neglect.

Other than identified above and subject to R&G not limiting its liability for causing death and personal injury, it shall not be liable for indirect or consequential loss and otherwise its liability shall be limited to the amounts paid by the Buyer for the Products or the fitting or service concerned. These terms do not affect the Buyer's statutory rights.

R&G RETURNS POLICY (NON-FAULTY GOODS)

Returns must be pre-authorized (if not pre-authorized the return will be rejected). Goods may only be returned direct to us if they were purchased direct from us (customer must prove if necessary). Otherwise to be returned to original vendor. Goods must be in re-sellable condition, in the opinion of R&G. All returns are subject to a 25% restocking and handling fee (25% of the gross value exc. P&P – at the prevailing price at time of purchase). The customer must pay any and all carriage charges. No returns of discontinued products, unless within 14 days of purchase. This policy does not affect your statutory rights and does not refer to faulty goods.